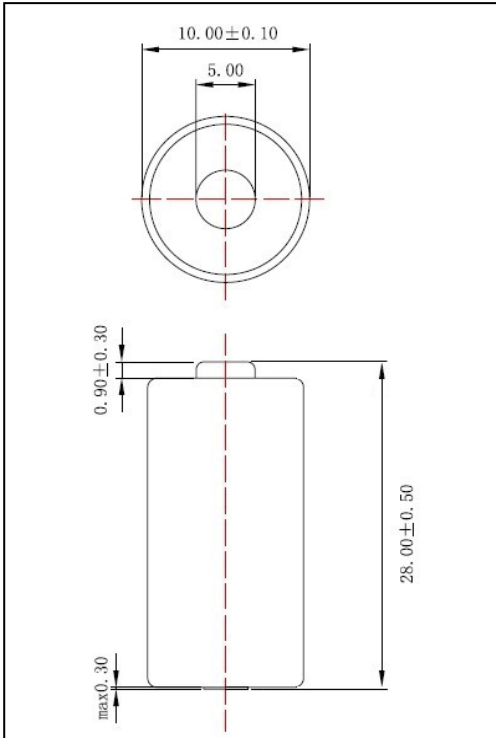


INDIVIDUAL DATA SHEET

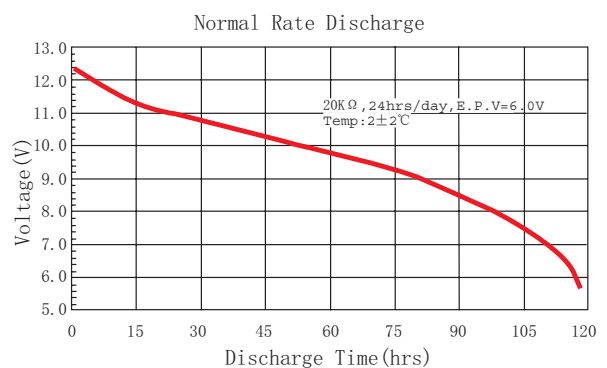
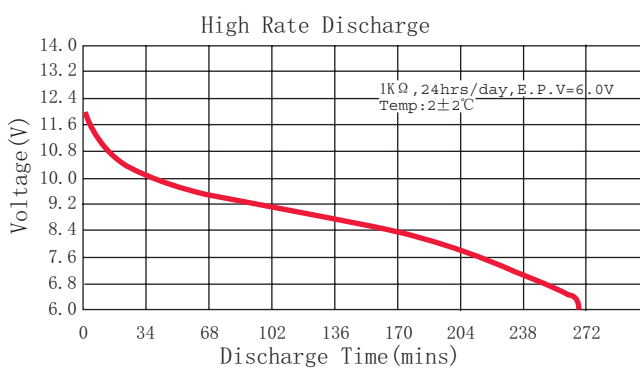
LR23A

Dimension(mm)



Specifications

Nominal Voltage	12V	
Cut-off Voltage	6V	
Nominal Dimension	$\Phi 10 \times 28$	
Capacity	Nominal	55mAh
	Minimun	50mAh
Internal Connection	Pressure	
Jacket	Metal Jacket	
Weight	7.90g	
Insulation Resistance	5m Ω min	
Average Service Life (to 6.0V at 20°C)	110hrs(at 20k Ω load)	
Current Drain	Under 5mA pulse, 0.5mA Continuous	



Note: The information (subject to change without prior notice) contained in this document is for reference only and should not be used as basis for product guarantee or warranty.